

Instructions



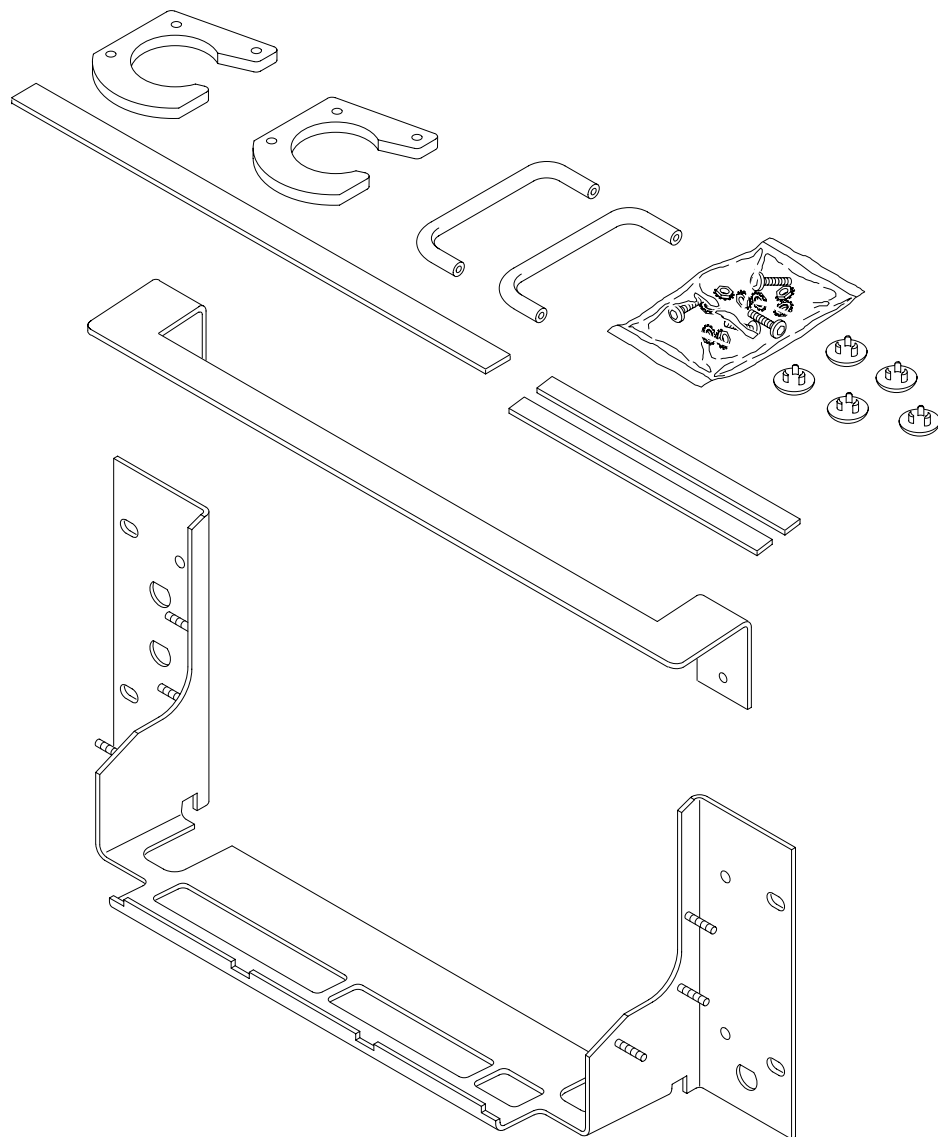
RM3000 Rackmount Kit for TDS3000 Series Oscilloscopes

071-0326-00

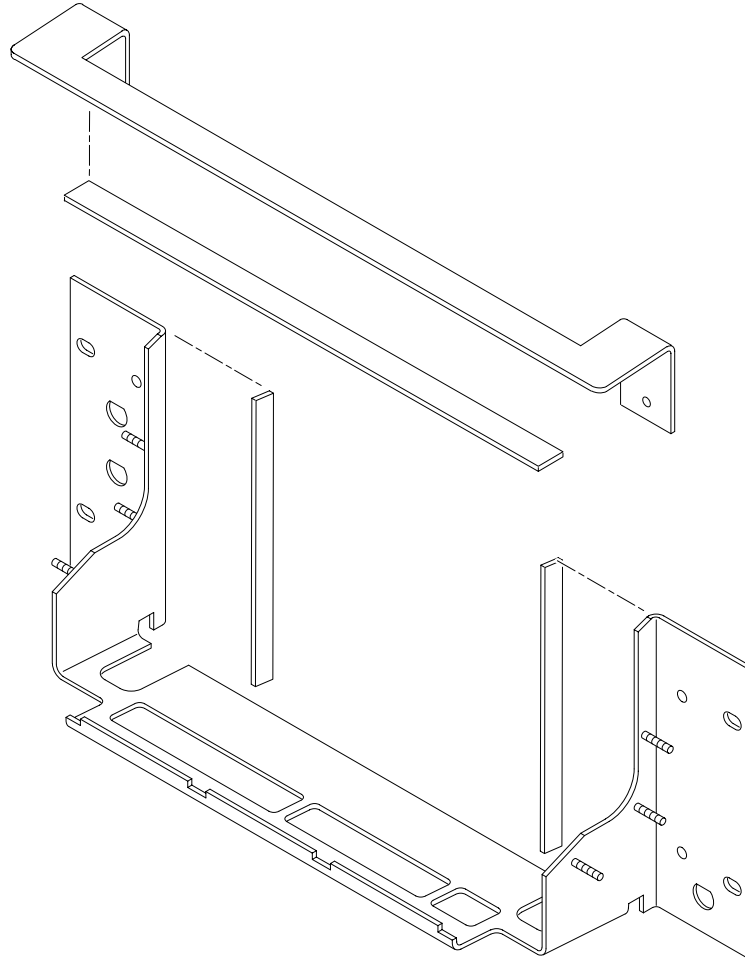
Installation

The RM3000 Rackmount kit fits all TDS3000 Series Oscilloscopes. Unpack and assemble the RM3000 Rackmount as shown in the illustrations on the following pages.

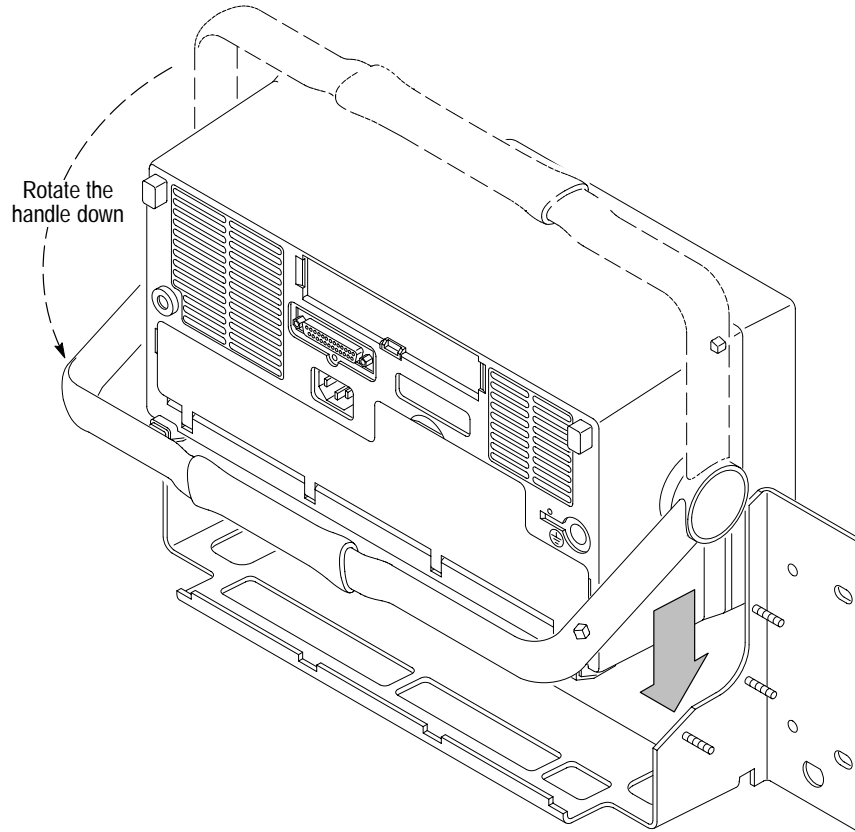
Unpack



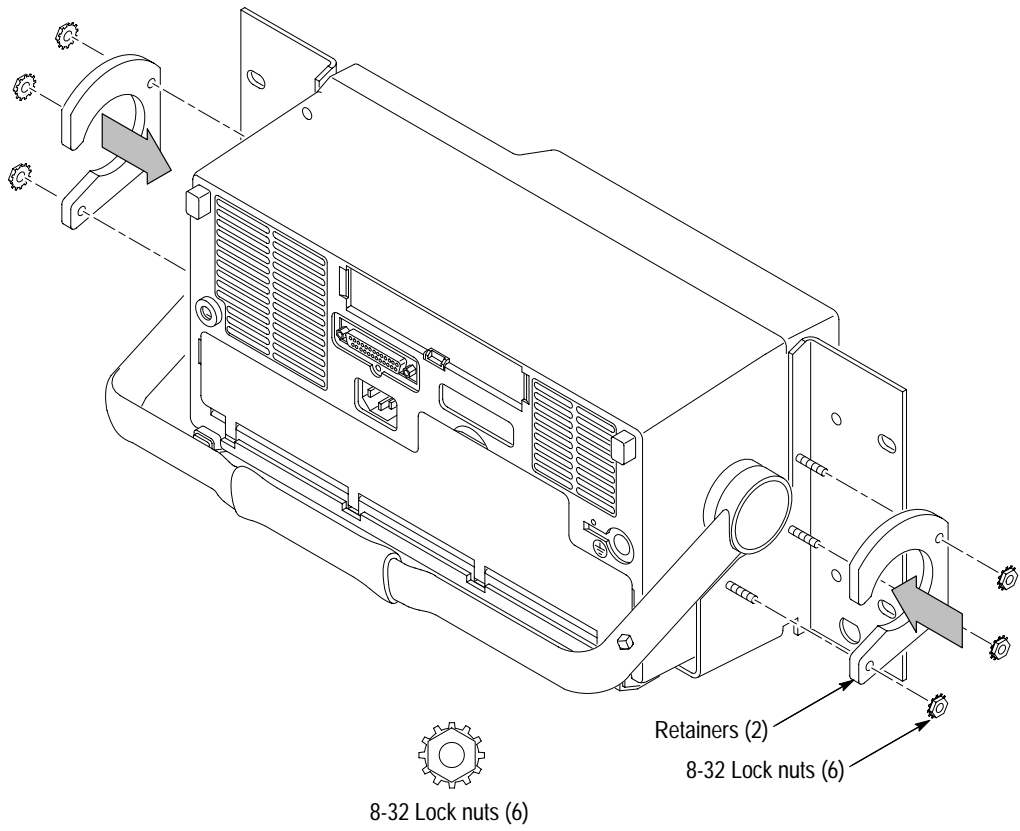
Install Pads



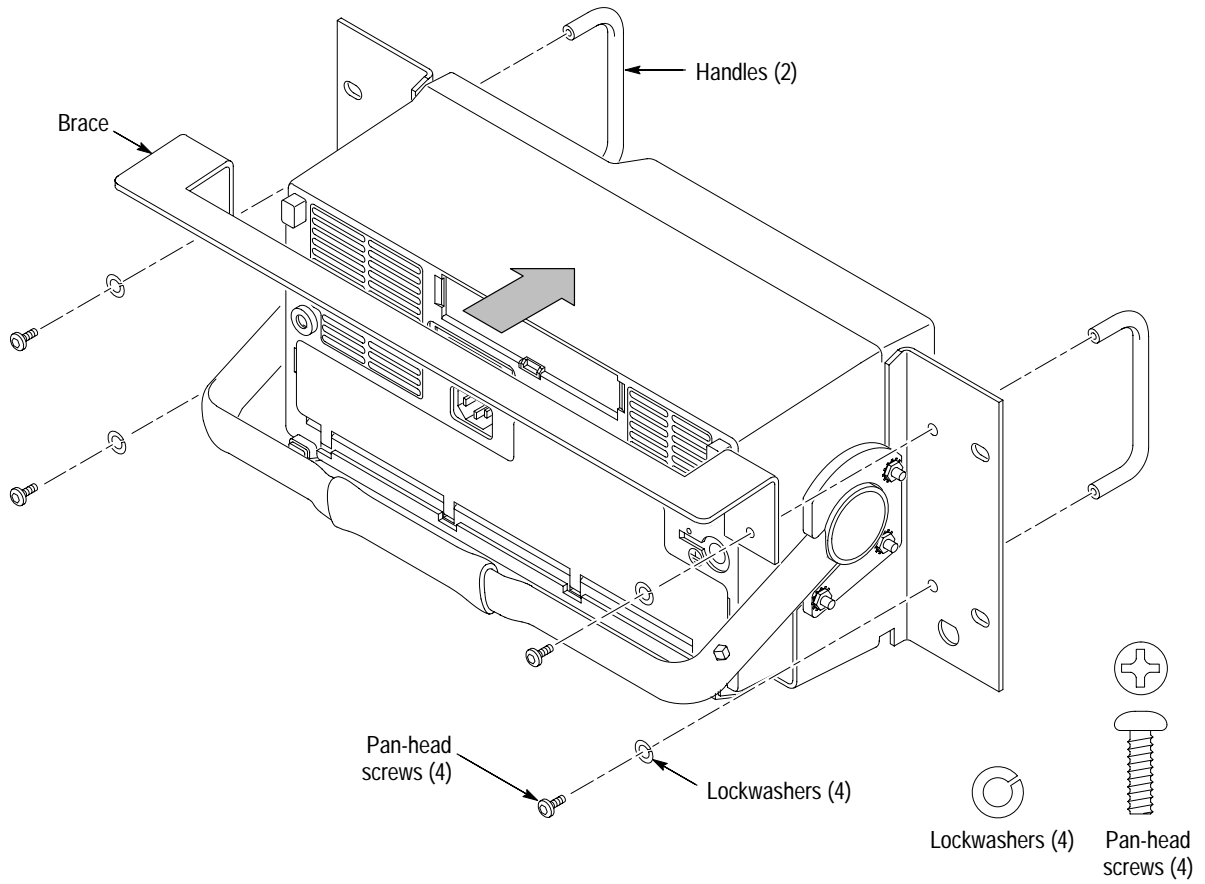
Install Oscilloscope



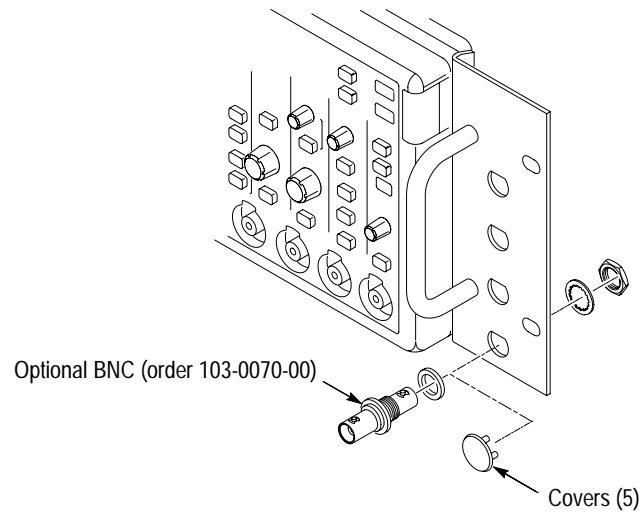
Install Retainers



Install Handles and Brace

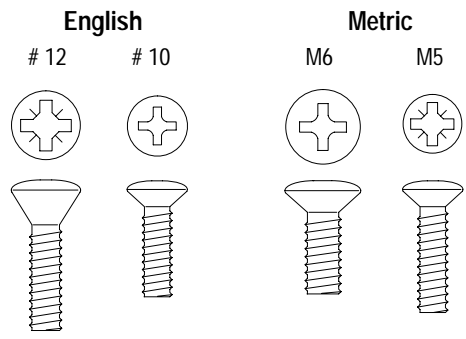
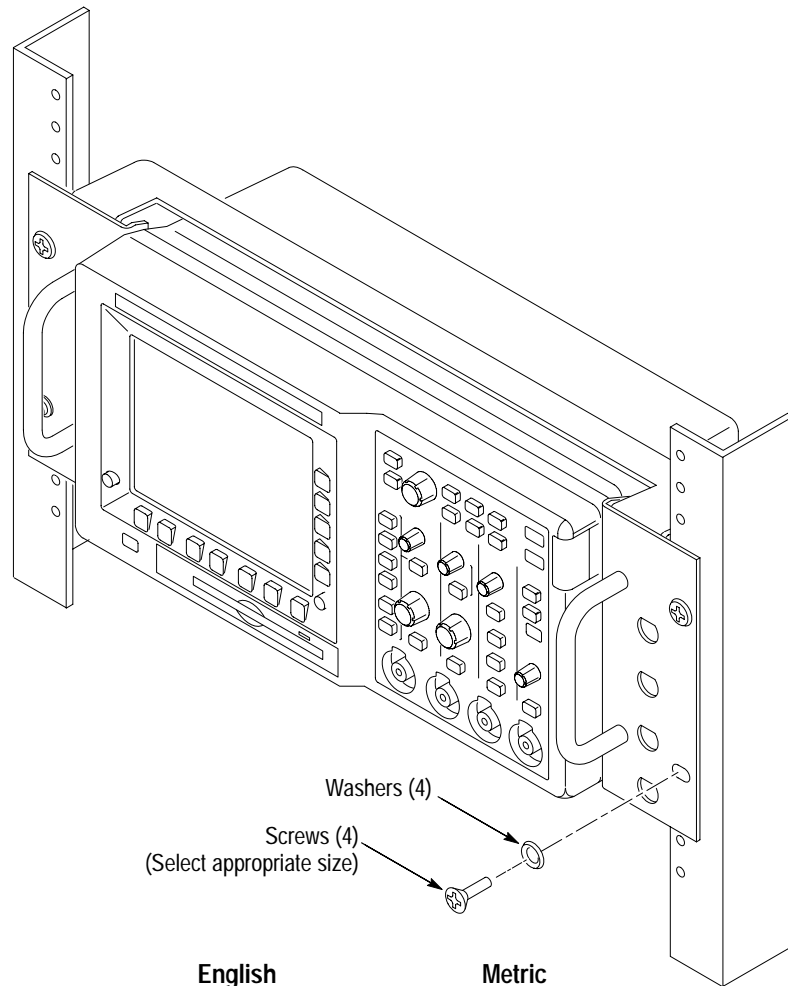


Install Covers or Optional BNCs

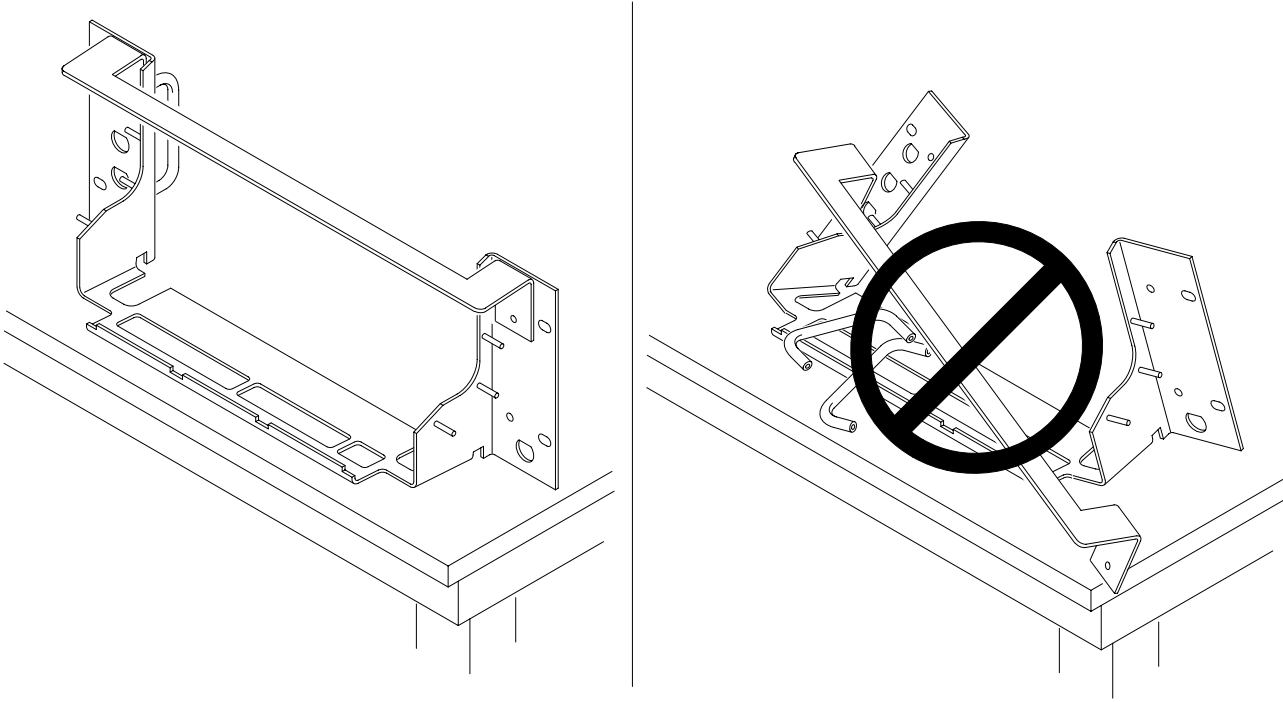


Mount in Rack

To mount the completed assembly, select the appropriate size metric or English screws for the rack.



Store Properly



Environmental Specifications

With the exception of the following characteristics, the environmental specifications listed in the associated user and service manuals apply to the rackmounted instrument.

Name	Description
Temperature	Operating: +5° C to +50° C, ambient temperature inside rack cabinet Non-operating: -20° C to +60° C, ambient temperature inside rack cabinet
Vibration	Operating: 0.26g rms, 5-500Hz, 10 min per axis Non-operating: 2.3g rms, 5 to 500Hz, 10 min per axis
Shock	Operating and non-operating: 30g, 11ms, half-sine, 3 Axis, 3 drops each

Dimensions

